

SOUNDING CAP USER MANUAL

PRODUCT INFORMATION

Valve Name : SOUNDING CAP
Nominal Diameter : R1" to R6"
Material : Bronz

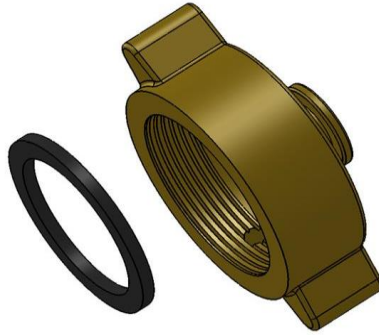
APPLICATION AREAS

-Sounding Cocks

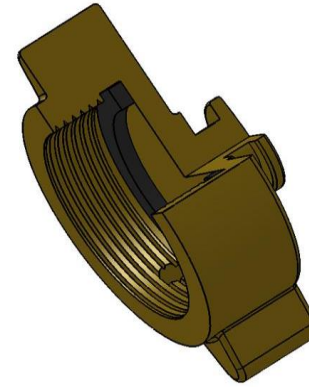
*Repairing and changing components cannot be done by end user.
These shall be done by manufacturer



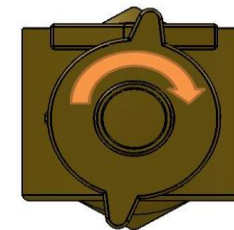
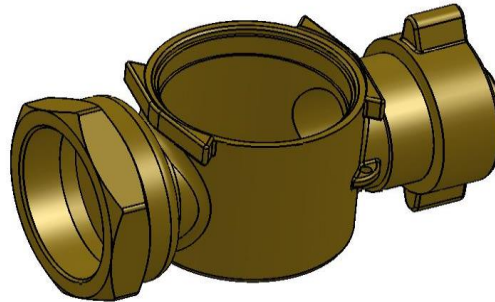
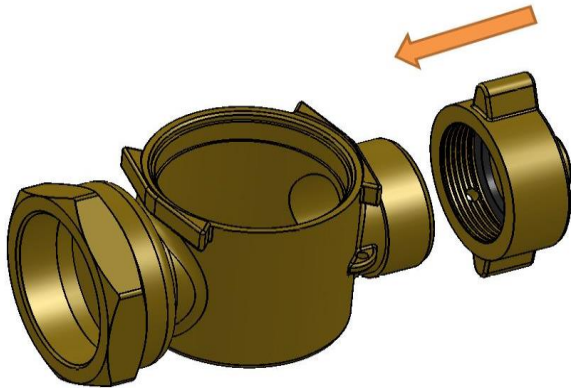
Sounding Cap



+Gasket



Fit the gasket



**Turn the Sounding Cap
in clockwise direction
and tighten**